

USER INFORMATION

Damp or wet material that has been dyed, or is not colorfast, can cause discoloration to the finish if that material is draped over the Wonderbar while it is hot. Again, it is suggested that items are dried by using a completely protective layer of material, such as a towel, underneath.

This Wonderbar is intended only for drying textiles that have been washed in water. Fabrics that contain soap or detergent residue (or any other liquid or substance) may discolor and show what appear to be scorch marks. However, this is simply discoloration of the residue or substance. The Wonderbar does not reach sufficient temperature to scorch fabric when operated correctly.

Warmrails does not accept responsibility for any damage, discoloration or other damage to any item regardless of circumstance. To reduce the possibility of damage, do not place any items other than towels directly on the heated bars—always have a completely protective layer of towel between the Wonderbar and any other item or garment.

CARE

The Wonderbar™ should be wiped down from time to time with a damp cloth.

Do not use any abrasive or corrosive cleaners.

WARRANTY

This product has a limited warranty for one full year from the date of purchase. Please keep your receipt for your records. If your Wonderbar™ is defective or you have questions, do not return it to the store but rather call toll free (877) 927-6724.

Marketed and Distributed by

Warmrails

Huntington Beach, CA 92649
Phone Toll Free: (877) 927-6724

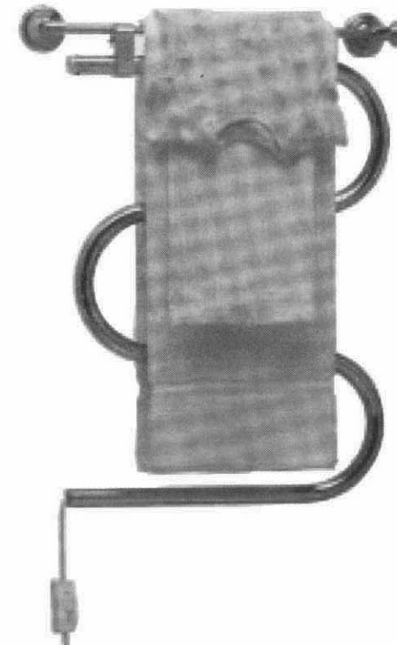
Warmrails

WONDERBAR PORTABLE HEATED DRYING RACK

INSTRUCTION MANUAL

Thank you for purchasing the Wonderbar™ Warm Rail & Drying Rack, we are sure it will make a valuable addition to your home. As well as warming your towels, your Wonderbar™ will keep your towels dry and fresh. In fact, you can even use it for heating robes and blankets, as well as drying laundry items and garments you don't want to put into the tumble dryer!

To get the best results from your Wonderbar™ towels should be folded over a couple of times to allow the heat to build up in the fibers of the towel. Avoid placing the Wonderbar™ in an area where it is drafty or likely to be knocked about.

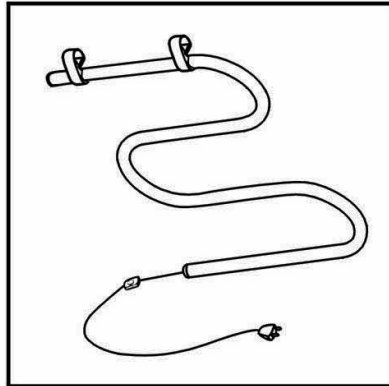


Printed in China

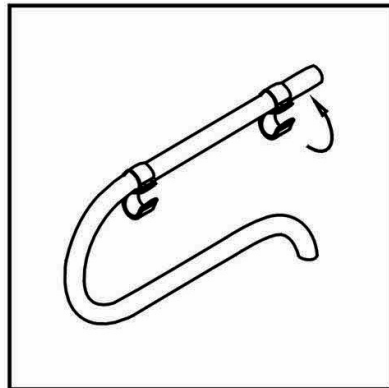


INSTALLATION

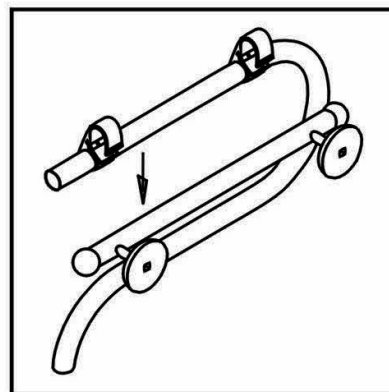
- Remove the Wonderbar™ from the carton and lay it flat on the floor or a table. It should look like this. (Fig. 1)
- Make sure all pieces are present. (Do not try to install the Wonderbar™ if any parts are missing. Contact customer service for replacement parts).
- Locate the two hanging clips and rotate them through 180 degrees so they look like this. (Fig. 2)
- Slide the locking wires down and place the hanging clips over an existing towel bar. (Fig. 3) Ensure the hanging clips fit completely and entirely around the towel bar. Raise the locking wire and 'snap' it into place. Do not install the Wonderbar™ in any location where it is unable to be secured properly or if the locking wires are unable to be 'snapped' into the correct closed position.
- Plug the cord into a 120V outlet and turn the warm rail on at the switch.
- Your Wonderbar™ will start to heat up almost immediately and should reach about 130° to 150°F on the exposed areas. The temperature will be higher in areas where the Wonderbar™ is covered by towels or garments.



(Fig. 1)



(Fig. 2)



(Fig. 3)

IMPORTANT INFORMATION

WARNINGS

- Your Wonderbar™ warm rail & drying rack is not a toy. It will heat up and may appear hot to the touch. It is safe to leave your warm rail running continuously 24 hours a day, but it should be used responsibly at all times.
- Children should not be allowed to play with your warm rail!
- Do NOT immerse the Wonderbar™ in water or any other liquid. The Wonderbar™ should not be installed in a location where it comes into contact with water or could accidentally be splashed or immersed in water or other liquids.
- This appliance has a polarized plug (one blade is wider than the other). To reduce the risk of electric shock, this plug is intended to fit in a polarized outlet one way only. If the plug does not fit fully in the outlet, reverse the plug. If it still does not fit, contact a qualified electrician. Do NOT modify the plug in any way.

SAFETY NOTICES

- This product is hot when In Use. The Wonderbar™ is designed so that the surface temperatures are within the requirements of the UL Standard applicable for Miscellaneous Heaters, so accidental or momentary contact with any part of the Wonderbar™ should not cause permanent or lasting injury. However, to avoid the risk of burns, do not grasp the Wonderbar™ or let it come into contact with bare skin.
- Young Children, Aged or Infirm Persons should not be left unsupervised in the vicinity of the Wonderbar™. Particular care should be taken in confined areas where accidental or prolonged contact with the Wonderbar™ may be more likely to occur.
- If the Wonderbar™ is to be installed in a place where it can be accessed by the public, a warning notice should be placed adjacent to the Wonderbar™ advising that the surface can be hot.